

GRINDER SEWAGE PUMPS

MPS SERIES 240V



CLEARTEC PUMPS



2
YEAR
WARRANTY

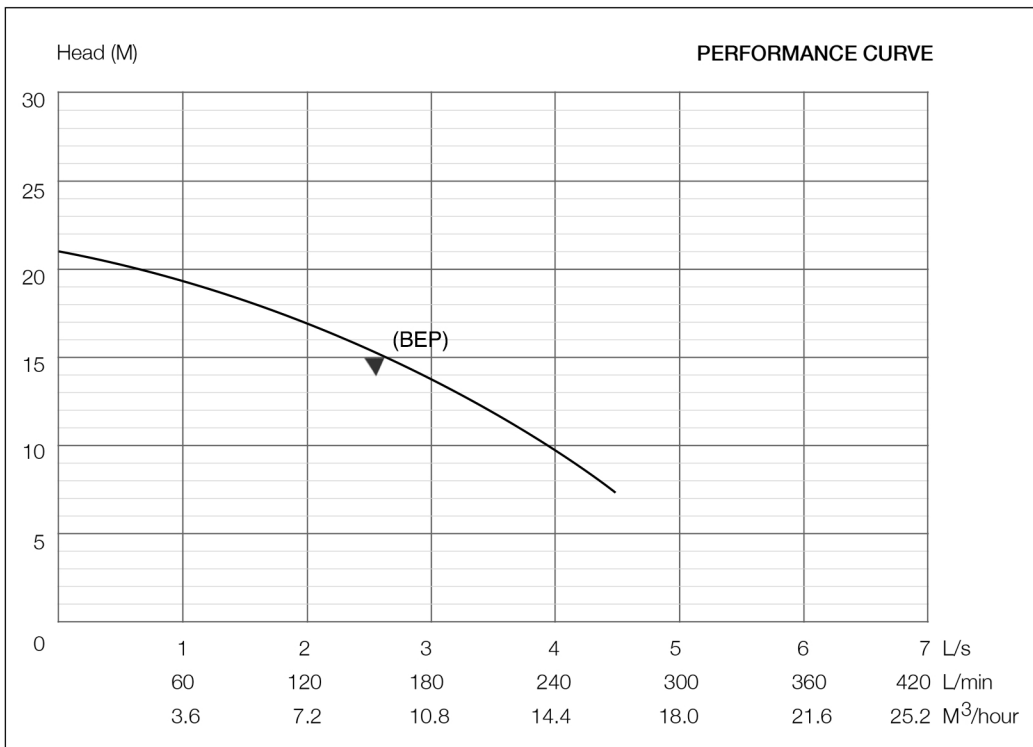
T&Cs apply

MPS100-2M/ MPS100-2A

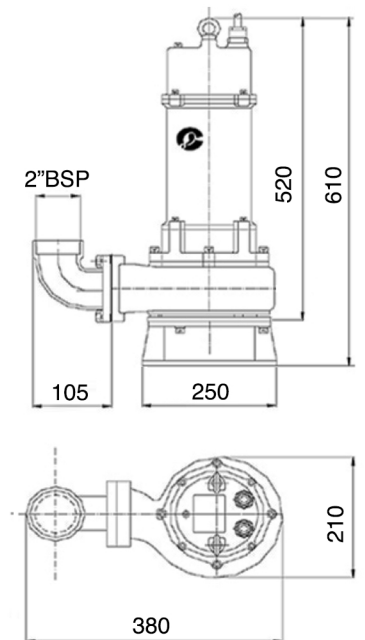
MPS Series pumps are compatible for raw sewage and industrial wastewater. Equipped with grinder mechanism made of high chrome steel, it efficiently grinds up materials suspended in fluid such as plastics and textiles.

- High chrome steel grinder.
- Standard 10mts cable.

Mechanical Seal	Double Silicon carbide upper & lower faces
Impeller	Grinder- High Chrome Steel
Motor Protection	Klixon auto reset
Pump Configuration	Free standing. Guide rail.
Liquid Temp	≤ 40 °C
Voltage	1 Phase 240V



Pump Dimensions



MPS SERIES 1.0Kw - 1.5Kw 240V

MODEL NO	Discharge (mm)	Max Flow (L/s)	Max Head (m)	Output (Kw)	Voltage (V)	FLC (A)	BEP L / M	RPM	Weight (Kg)	Insulation Class
MPS100-2M	50	4.5	21	1.0	240	8	2.7 / 15	2900	40	F
MPS100-2A	50	4.5	21	1.0	240	8	2.7 / 15	2900	40	F

M (manual) A (automatic)