

# GRINDER SEWAGE PUMPS

## MPE SERIES 415V



CLEARTEC PUMPS



**2**  
YEAR  
WARRANTY

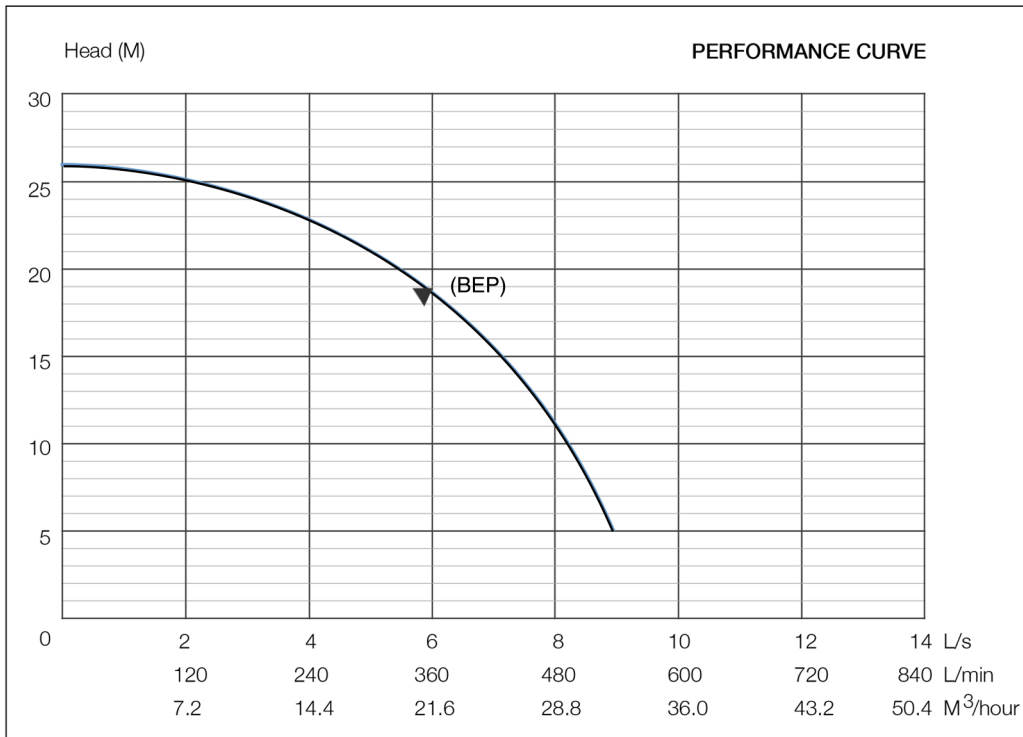
T&Cs apply

### MPE220-2M/ MPE220-2A

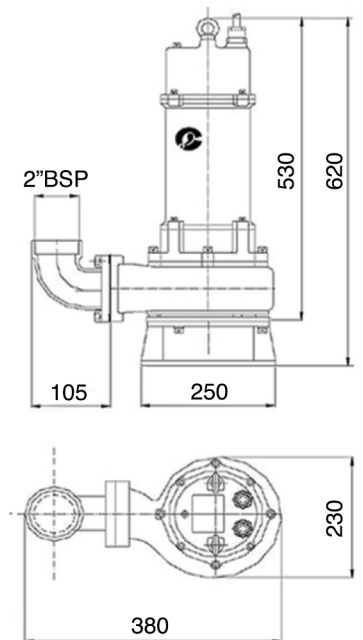
**MPE Series** pumps are compatible for raw sewage and industrial wastewater. Equipped with grinder mechanism made of high chrome steel, it efficiently grinds up materials suspended in fluid such as plastics and textiles.

- High chrome steel grinder.
- Standard 10mts cable.

<b>Mechanical Seal</b>	Double Silicon carbide upper & lower faces
<b>Impeller</b>	Grinder- High Chrome Steel
<b>Motor Protection</b>	Klixon auto reset
<b>Pump Configuration</b>	Free standing. Guide rail.
<b>Liquid Temp</b>	≤ 40 °C
<b>Voltage</b>	3 Phase 415V



### Pump Dimensions



### MPE220-2 2.2Kw 415V

MODEL NO	Discharge (mm)	Max Flow (L/s)	Max Head (m)	Output (Kw)	Voltage (V)	FLC (A)	BEP L / M	RPM	Weight (Kg)	Insulation Class
<b>MPE220-2M</b>	50	9	26	2.2	415	6	6 / 19	2900	55	F
<b>MPE220-2A</b>	50	9	26	2.2	415	6	6 / 19	2900	55	F

(M) Manual (A) Automatic