

CUTTER SEWAGE PUMPS

CPS SERIES 240V



CLEARTEC PUMPS

2
YEAR
WARRANTY

T&Cs apply

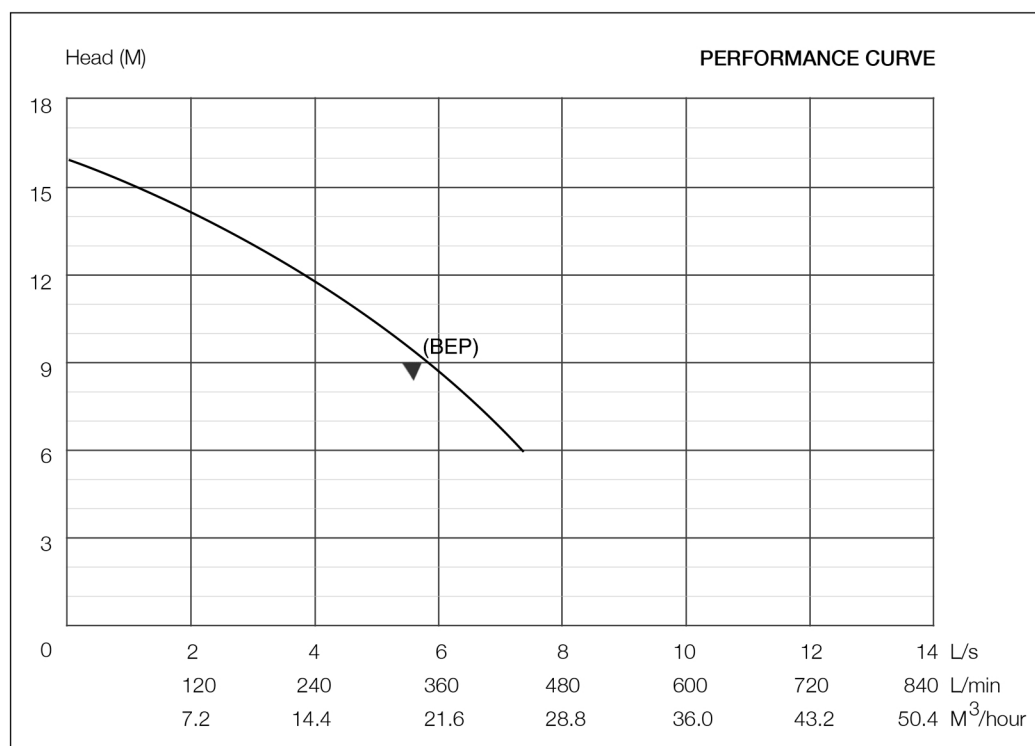


CPS150-2LM / CPS150-2LA

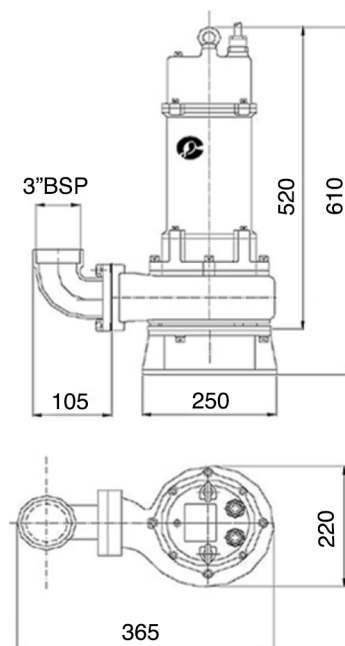
CPS Series are durable cast iron pumps designed for raw sewage and industrial wastewater.

- Durable cast iron outer casing for superior heat transfer.
- Hardened steel cutter plate with wear adjustment.
- High torque motor incorporating centrifugal switch and start capacitor.
- Standard 10 mts power cable.

Mechanical Seal	Double Silicon carbide upper & lower faces
Impeller	Cutter single vane with tungsten carbide cutting tip
Motor Protection	Klixon auto reset
Pump Configuration	Free standing. Guide rail.
Liquid Temp	≤ 40 °C
Voltage	1 Phase 240V



Pump Dimensions



CPS150-2L 1.5Kw 240V

MODEL NO	Discharge (mm)	Max Flow (L/s)	Max Head (m)	Output (Kw)	Voltage (V)	FLC (A)	BEP L / M	RPM	Solid size (mm)	Weight (Kg)	Insulation Class
CPS150-2LM	80	7.5	16	1.5	240	9.5	5.5 / 9	2900	50	40	F
CPS150-2LA	80	7.5	16	1.5	240	9.5	5.5 / 9	2900	50	40	F

M (manual) A (automatic) L (low head)