

# CUTTER SEWAGE PUMPS

## CPS SERIES 240V



CLEARTEC PUMPS

**2**  
YEAR  
WARRANTY

T&Cs apply

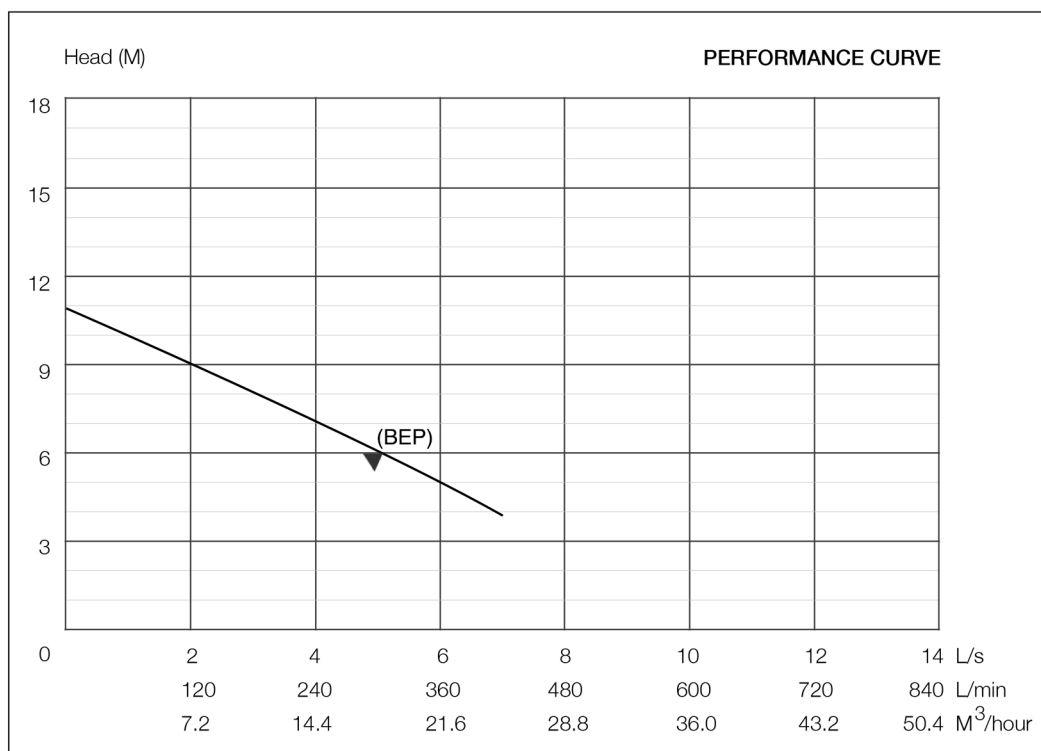


### CPS100-2LM / CPS100-2LA

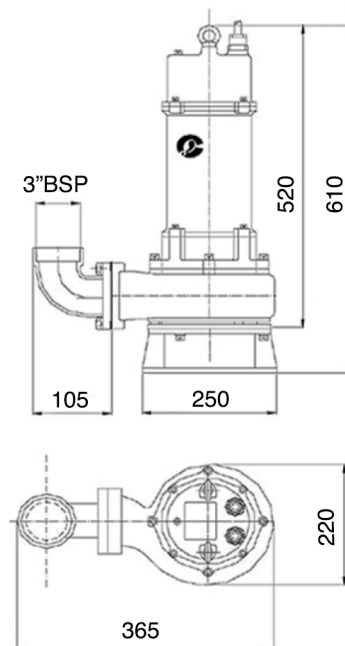
CPS Series are durable cast iron pumps designed for raw sewage and industrial wastewater.

- Durable cast iron outer casing for superior heat transfer.
- Hardened steel cutter plate with wear adjustment.
- High torque motor incorporating centrifugal switch and start capacitor.
- Standard 10 mts power cable.

<b>Mechanical Seal</b>	Double Silicon carbide upper & lower faces
<b>Impeller</b>	Cutter single vane with tungsten carbide cutting tip
<b>Motor Protection</b>	Klixon auto reset
<b>Pump Configuration</b>	Free standing. Guide rail.
<b>Liquid Temp</b>	≤ 40 °C
<b>Voltage</b>	1 Phase 240V



### Pump Dimensions



### CPS100-2L 1.0Kw 240V

MODEL NO	Discharge (mm)	Max Flow (L/s)	Max Head (m)	Output (Kw)	Voltage (V)	FLC (A)	BEP L / M	RPM	Solid size (mm)	Weight (Kg)	Insulation Class
CPS100-2LM	80	7	11	1.0	240	8	4.7 / 6	2900	50	40	F
CPS100-2LA	80	7	11	1.0	240	8	4.7 / 6	2900	50	40	F

M (manual)      A (automatic)      L (low head)

PICTURES ARE FOR ILLUSTRATIVE PURPOSES ONLY  
 DISCLAIMER: EVERY EFFORT HAS BEEN MADE TO PUBLISH CORRECT DETAILS.  
 NO RESPONSIBILITY WILL BE TAKEN FOR ERRORS OR CHANGES IN PRODUCT SPECIFICATION.  
 DATE: 12.11.20